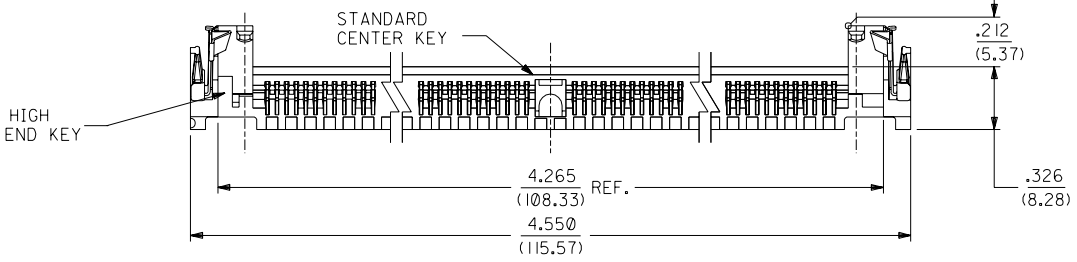
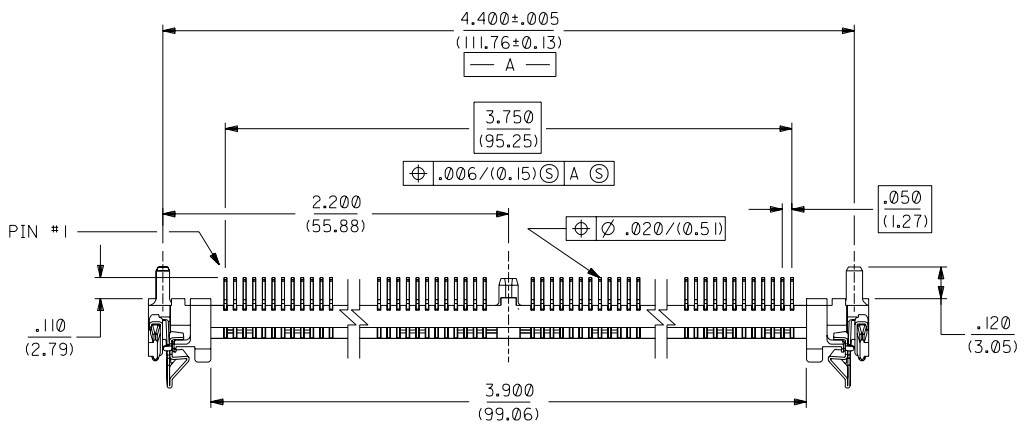
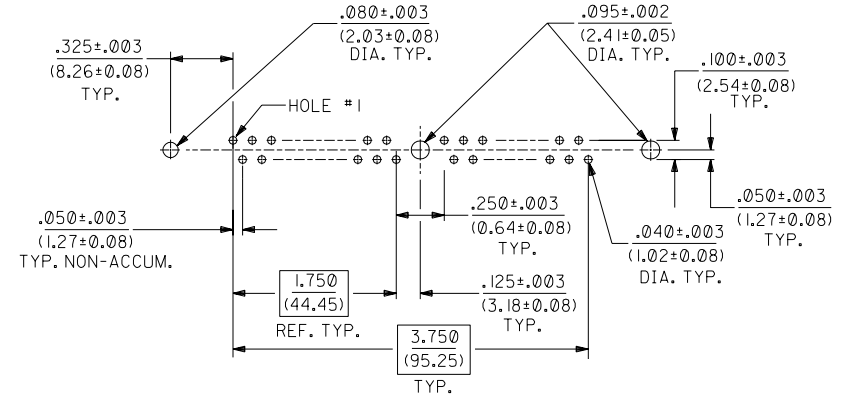


"SIMM" P.C. BOARD LAYOUT

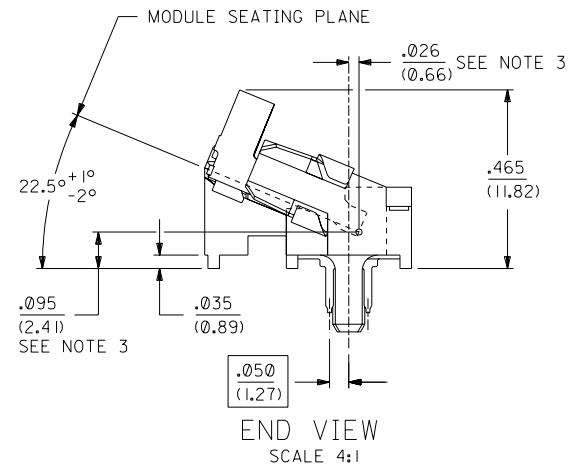


- NOTES:
- CARD SLOT ACCEPTS P.C. BOARDS $.050 + .004 / -.003$ THICK, MEASURED OVER CONTACT PADS. (1.27 ± 0.10 / -0.08)
 - PRODUCT SPEC PS-78954 APPLIES.
 - LOCATION OF LOWER CORNER OF MODULE BOARD.
 - CENTER PEG IS AN INTERFERENCE FIT TO RECOMMENDED P.C. BOARD HOLE.

- MATERIALS:
- HOUSING: LCP, GLASS FILLED, 94V-0. COLOR: BLACK.
 - LATCH: STAINLESS STEEL.
 - TERMINAL: PHOSPHOR BRONZE, POST PLATED
 - 200 μIN. / (5.08 μm) MIN. TIN IN CONTACT AREA AND
 - 150 μIN. / (3.81 μm) MIN. TIN IN TAIL AREA OVER
 - 50 μIN. / (1.27 μm) MIN. NICKEL OVERALL.
- *THE PRIMARY SHIPPING CARTON WILL BE LABELED "COMPLIANT TO RoHS DIRECTIVE 2002/95/EC AND ELV ANNEX II OF DIRECTIVE 2000/53/EC". CARTONS WITHOUT THIS LABEL MAY CONTAIN PRODUCT WITH LEAD.



RECOMMENDED SOCKET P.C. BOARD HOLE PATTERN



END VIEW SCALE 4:1

| | |
|---|---|
| H | LEAD FREE UCP2004-1582 RWHITE 04/02/25 |
| G | REVISED PER ECN #U51394 GMY 7-18-95 |
| F | REVISED PEG LENGTH PER ECN #U30751 MJS 6-8-93 |
| E | DEL. FEATURE CONTROL BLOCK PER ECN #U21881 PDB 12-28-92 |
| D | .010 BLOCK TOL WAS .050 PER ECN #U2290 PDB 08-27-92 |
| C | REMOVED TRACKING TOES PER ECN #U20914 PDB 06-17-92 |
| B | REVISED SALES MASTER PER ECN #U11871 PDB 09-10-91 |
| A | RELEASE PER ECN #U10303 PDB 01-18-91 |

| | | | |
|--|--|---|--|
| DIMENSIONS SHOWN (METRIC) INCH UNLESS OTHERWISE SPECIFIED TOLERANCES: ANGULAR ± 1/2° | | ▽ = 0 = 0 REVISION ONLY ON CAD SYSTEM | |
| TITLE SALES ASSEMBLY 22.5 METAL LATCH HIGH KEY SINGLE ROW SIMM SOCKET | | SHEET NO. DATE 1 OF 1 01/18/91 | |
| DRAWING PART NO. 15-82-0678 | | DRAWING PART NO. SDA-78964-7231 | |
| DRWG. BY PDB | | CHK'D. BY | |
| APP'D. BY | | SCALE 2:1 | |
| FILE NAME ST064330.DGN | | THIS DRAWING CONTAINS INFORMATION THAT IS PROPRIETARY TO MOLEX INC. AND SHOULD NOT BE USED WITHOUT WRITTEN PERMISSION | |